

USER SERVICING INSTRUCTIONS

SAFETY INSTRUCTIONS

CAUTION:

THIS UNIT IS INTENDED FOR INDOOR AND LIGHT COMMERCIAL USE ONLY. THE UNIT IS NOT CONSTRUCTED FOR USE OUTDOORS OR IN WET LOCATIONS AND IS NOT SUITABLE FOR USE IN BARN, STABLES OR SIMILAR LOCATIONS. TO AVOID RISK OF FIRE OR ELECTRICAL SHOCK, DO NOT USE WHERE IT MAY BE EXPOSED TO WATER OR DIRECT SUNLIGHT, INCLUDING ROOFED OR OPEN PORCHES.



WARNING:

SHOCK HAZARD. DO NOT OPEN. NO USER SERVICEABLE PARTS INSIDE. THE USER MAY REPLACE THE GLUE BOARDS AND LAMPS. QUALIFIED SERVICE PERSONNEL MUST PERFORM ALL OTHER REPAIRS AND MAINTENANCE.

THE UNIT IS NOT INTENDED FOR USE BY PERSONS (INCLUDING CHILDREN) WITH REDUCED PHYSICAL, SENSORY OR MENTAL CAPABILITIES, OR LACK OF EXPERIENCE OR KNOWLEDGE, UNLESS THEY HAVE BEEN GIVEN SUPERVISION OR INSTRUCTION CONCERNING USE OF THE UNIT BY A PERSON RESPONSIBLE FOR THEIR SAFETY. THE UNIT IS TO BE KEPT OUT OF THE REACH OF CHILDREN WHEN NOT IN USE. CHILDREN SHOULD BE SUPERVISED TO ENSURE THAT THEY DO NOT PLAY WITH THE UNIT.

TO MAXIMIZE SAFETY, DISCONNECT THE UNIT FROM THE ELECTRICAL SUPPLY WHEN NOT IN USE, WHEN CHANGING THE GLUE BOARD, LAMP, CLEANING, ETC. SEE SERVICE INSTRUCTIONS FOR METHOD AND FREQUENCY OF SERVICE.

DO NOT ABUSE THE ELECTRICAL CABLE, NEVER CARRY THE UNIT BY THE CABLE OR PULL IT FROM THE RECEPTACLE. KEEP CABLE AWAY FROM HEAT, OIL AND SHARP EDGES. IF CABLE IS DAMAGED DO NOT USE. THE UNIT SHOULD BE RETURNED TO THE MANUFACTURER FOR REPLACEMENT.

DO NOT INSERT FOREIGN OBJECTS INTO THIS UNIT.

THE UNIT IS NOT TO BE USED IN LOCATIONS WHERE FLAMMABLE VAPOUR OR EXPLOSIVE DUST IS LIKELY TO EXIST.

TO MAXIMIZE EFFICIENCY AND SAFETY, REPLACE GLUE BOARDS CONTAINING INSECTS AS NEEDED.

ELECTRICAL INSTALLATION

The unit is supplied with either an appropriate integral plug or plug/cable and must be connected to the appropriate receptacle type.

Check the voltage requirements for the unit and confirm the correct electrical supply is available.

LOCATIONS

The unit should be placed as far as possible from windows to minimise competition from sunlight.

Do not place the unit directly over exposed foods, food preparation surfaces, sources of heat or steam

INSTALLATION/MOUNTING (Wall Mounted Cable Version Only)

Remove release paper from the glue board before use.

After determining the best placement for the trap, locate hardware package in shipping carton.

Remove the front screen by pulling forward and lift up away from the unit.

Remove the glue board by accessing through the opening at the top.

Mark through the rear keyhole slots on to wall surface where screw anchors will be used.

For concrete (CMU) walls, use the plastic anchors provided. Use a 3/16" (4.8mm) masonry drill and drill the holes where marked on wall. Insert anchors into wall and tap flush. Screw in the self tapping screws provided to within 1/8" (3mm) of the wall surface.

For plasterboard walls use aluminium anchors provided. Tap into wall and thread with screwdriver.

Screw in the machine screws provided to within 1/8" (3mm) of the wall surface.

For wood or wood panel walls, locate wall studs and use only the screws provided.

Hang the unit on the screws and carefully tighten.

USER SERVICING INSTRUCTIONS

INSTALLATION MOUNTING (Twist Plug version only)

To rotate the Twist Plug so that the unit sits upright follow the procedure below:

1. First check the orientation of the plug receptacle, if it is different from the twist plug follow step
2. Hold the pins of the Twist Plug and pull towards you, then rotate the pins a quarter turn clockwise and release. To orientate the pins into the horizontal position reverse the process.

WARNING: KEYHOLE MOUNTING NOT TO BE USED

IMPORTANT SERVICING INSTRUCTIONS

Routine Maintenance

To maintain efficiency, the lamps & glue board need replacing as detailed below. It is also recommended to dust the unit with a dry cloth.

1. Disconnect from the electrical supply by unplugging the unit from the electrical socket.
2. Wipe the unit with a cloth.

Lamp Replacement 9 Watt BL (UVA)

Even though the amount of visible light emitted from the lamp does not appear to change, the output of UV light diminishes with time. To maintain efficiency, lamps must be replaced annually. **Do not use UV-B or UV-C lamps.** The *ATRAPAFLY* replacement lamps are available from your local distributor.

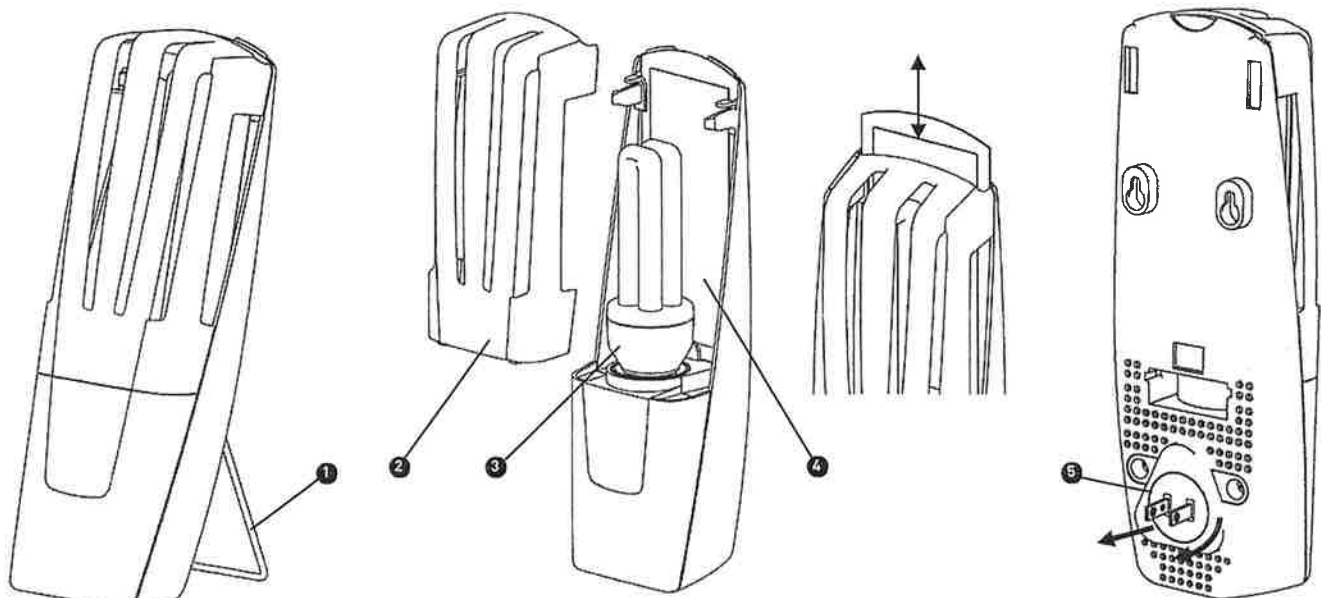
To replace the lamp, follow the procedure below:

1. Disconnect from the electrical supply by unplugging the unit from the electrical socket.
2. Open the front screen by pulling forward and lift up away from the unit.
3. Hold the lamp at the base and unscrew from the unit.
4. To install a new lamp, reverse the procedure.
5. Refit the screen; snap it to the fully closed position.
6. Plug unit in.

Glue board Replacement

The unit uses the unique *ATRAPAFLY* Glue board. To replace the glue board, follow the procedure below:

1. Disconnect from the power source by unplugging the unit from the electrical socket.
2. Remove the glue board by accessing through the opening at the top.
3. Remove the release paper from the new glue board and refit.



Item	Description
1	Wire Stand (Mains cord models only)
2	Screen
3	E27 Screw in Lamp
4	Glue Board
5	Twist Plug (Twist Plug version only)